



4ms Maintenance Bypass Switch

Product type

The maintenance bypass switch (MBPS) is designed for small UPS systems. There are two versions available, the MBPSR (rack mount) and the MBPSW (wall mount).

Both have the same functions and specifications with two different designs. These models both come in 10A and 16A models with IEC sockets and a 40A model with a hardwired terminal block.



Key features include:

- Continuous power to equipment
- Eliminates operation downtime
- Break before make transfer topology
- Transfer time < 4ms
- 19" 2RU cabinet or wall-mount structure

Alpha Power Systems

18/30 Heathcote Road
Moorebank NSW 2170

T (02) 9602 8331

F (02) 9602 9180

E admin@alphapower.com.au

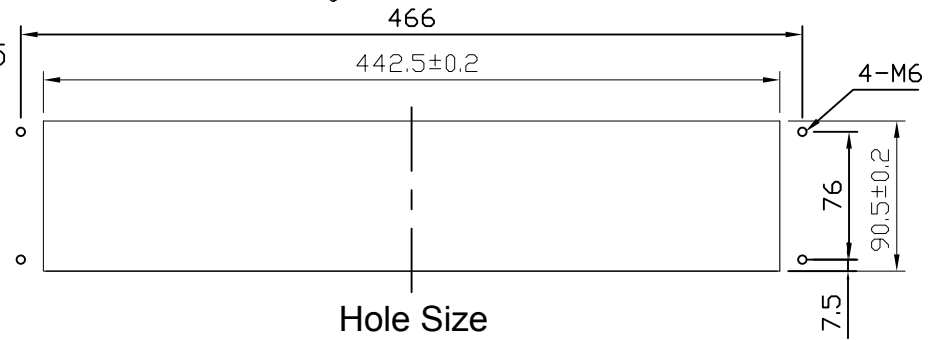
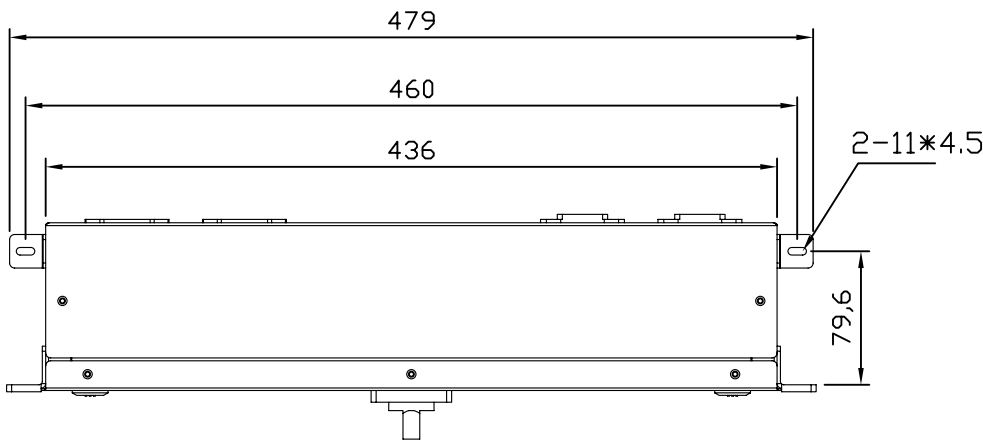
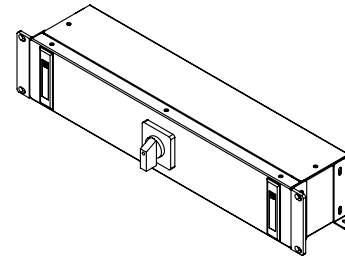
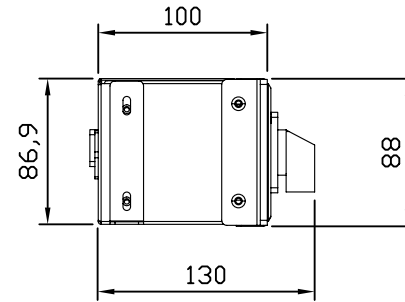
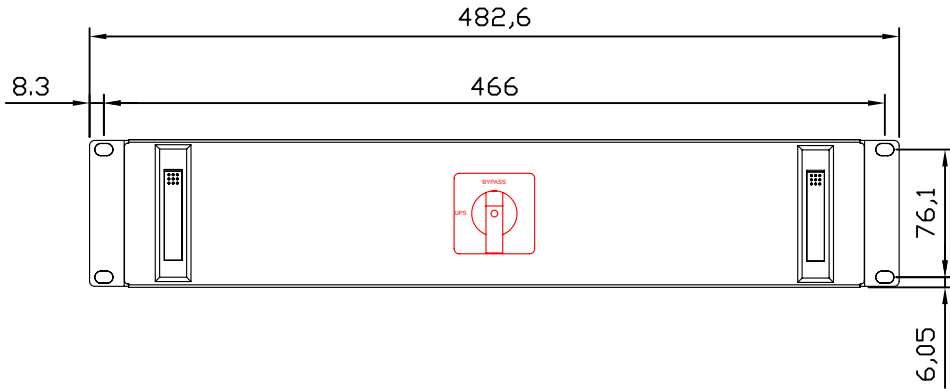
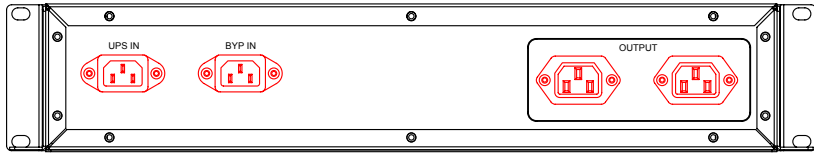
W www.alphapower.com.au

Product Specifications

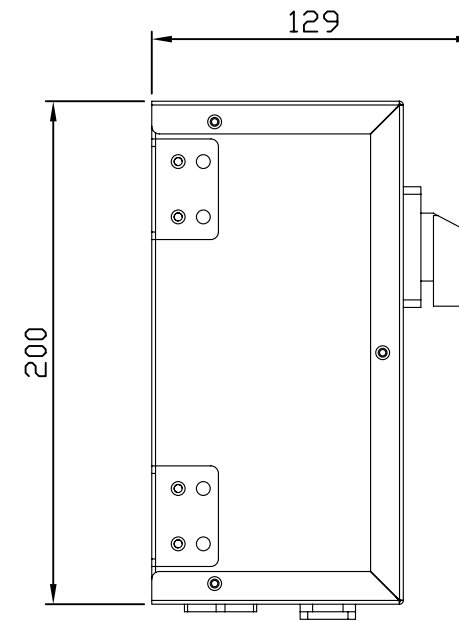
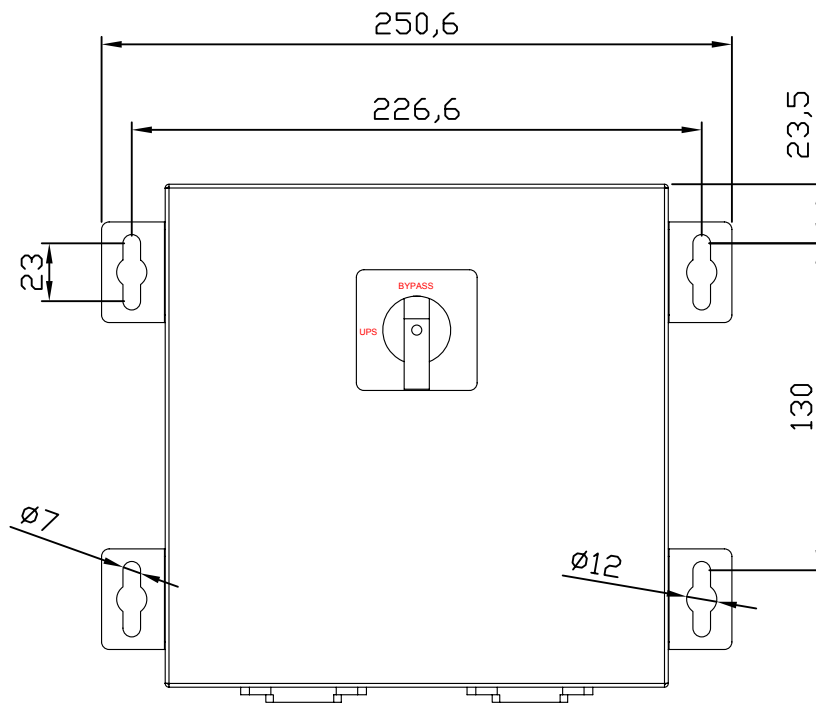
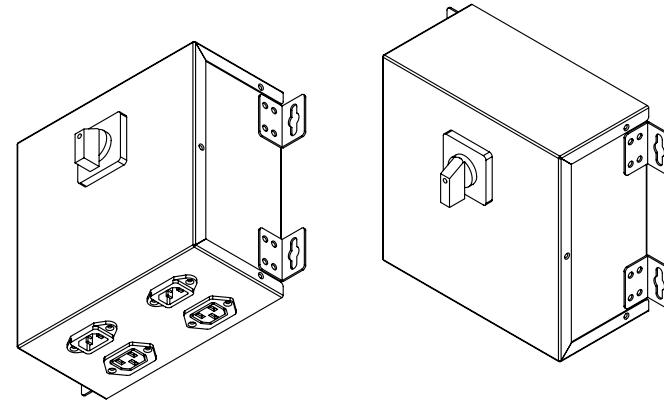
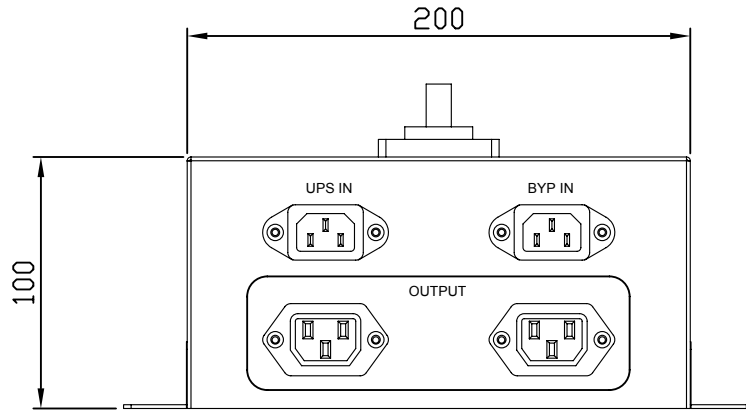
Model	MBPSR-XX	MBPSR-40	MBPSW-XX	MBPSW-40
Capacity	10A or 16A	40A	10A or 16A	40A
Input	IEC Socket	Hard wired	IEC Socket	Hardwired
Output	10A GPO			
Topology	Break Before Make			
Physical	19" 2 RU		Wall Mount	

Switch Model	Switching Time ON	Switching Time OFF
CA10S A220 Contact 1 – 2 3.4	2.9 ms	3.7 ms
CA10S A221 Contact 1 – 2 3.4	4.1 ms	3.3 ms
Contact 5 – 6 7.8	3.0 ms	3.0 ms
CA10S WA3324 Contact 1 – 2 3.4	3.6 ms	3.6 ms
CA10S WA3325 Contact 1 – 2 3.4	3.3 ms	3.4 ms
Contact 5 – 6 7.8	2.9 ms	3.4 ms
C26S A220 Contact 1 – 2 3.4	3.7 ms	4.5 ms
C26S A221 Contact 1 – 2 3.4	4.6 ms	4.3 ms
Contact 5 – 6 7 – 8	4.4 ms	3.6 ms
CA40S A220 Contact 1 – 2 3.4	3.8 ms	3.8 ms
CA40S A221 Contact 1 – 2 3.4	3.8 ms	3.8 ms
Contact 5 – 6 7 – 8	3.8 ms	4.5 ms

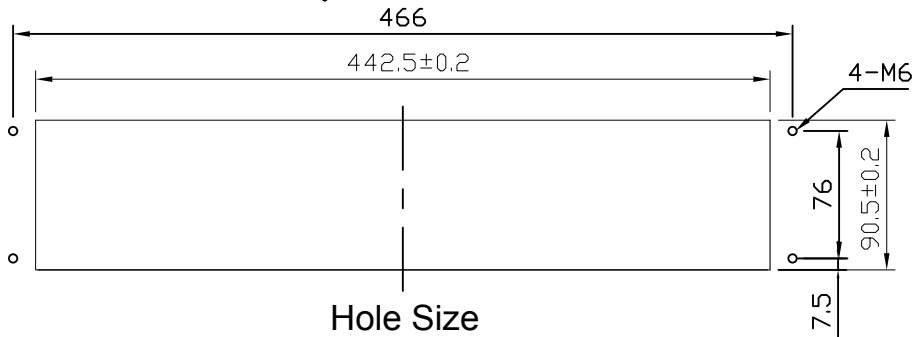
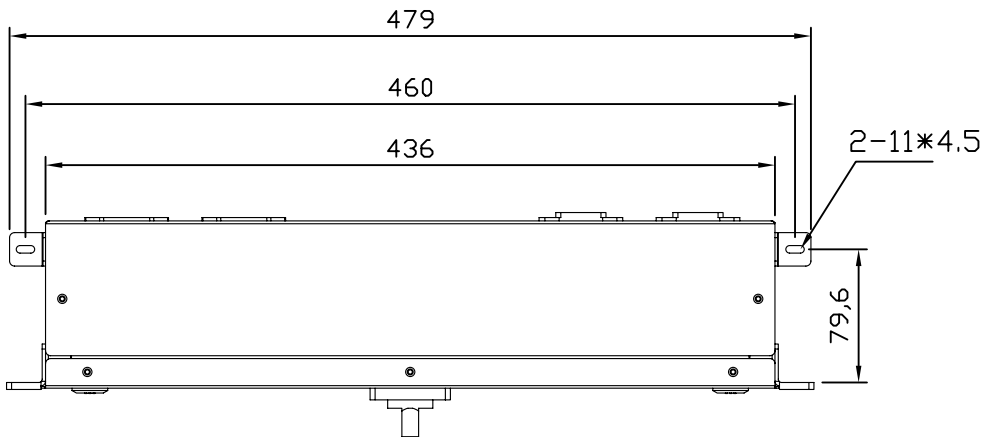
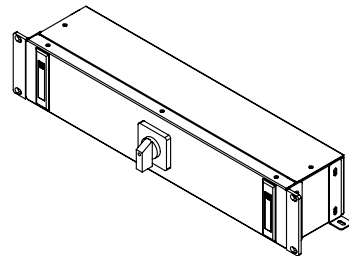
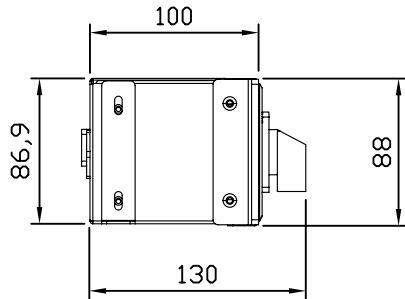
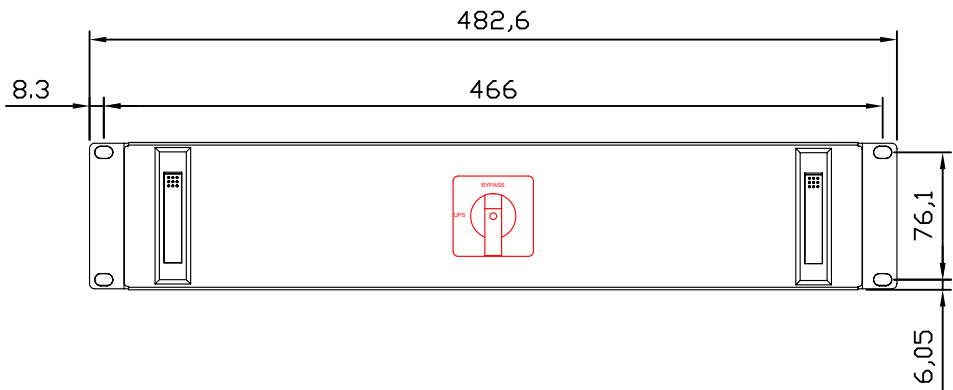
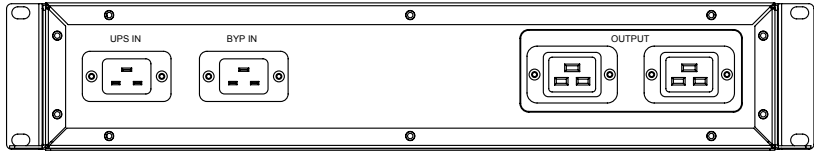
4ms Maintenance Bypass Switch
 10A, Rack Mount
 MBPSR-10



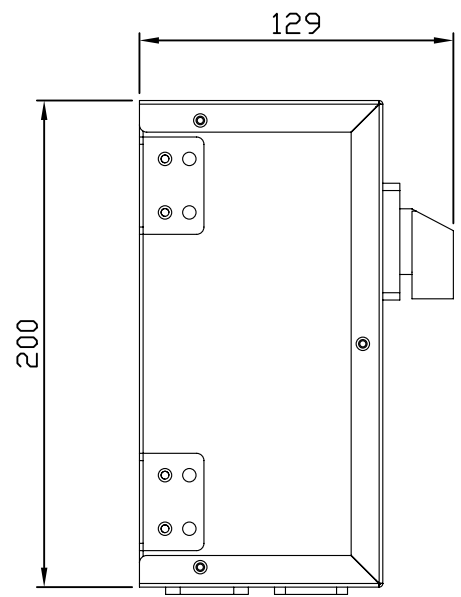
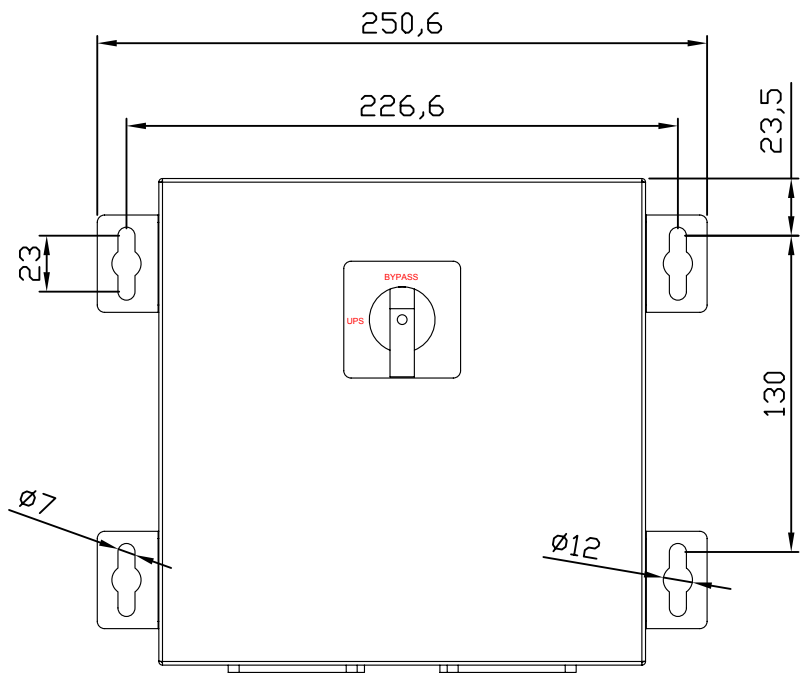
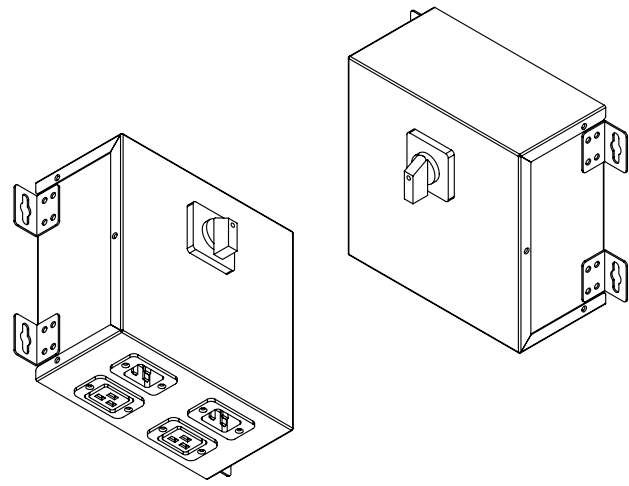
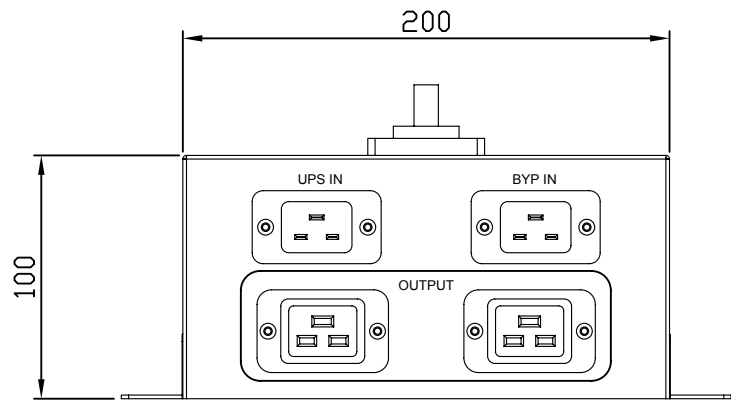
4ms Maintenance Bypass Switch
10A, Wall Mount
MBPSW-10



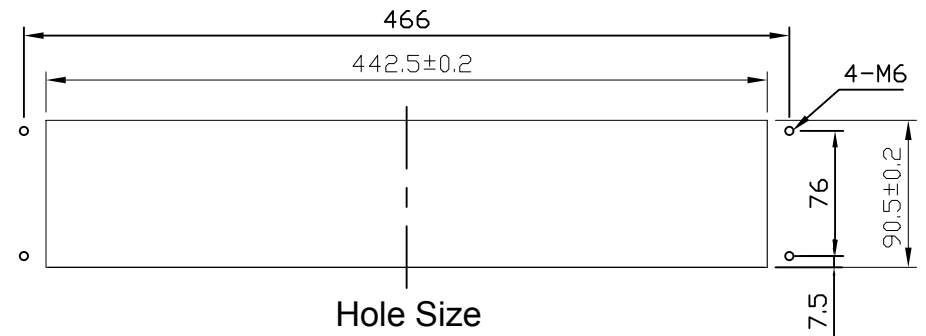
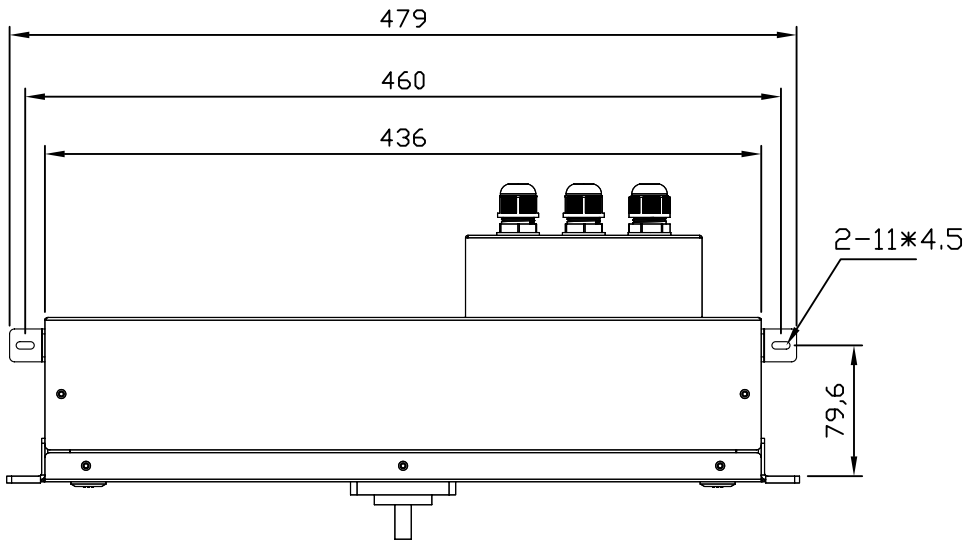
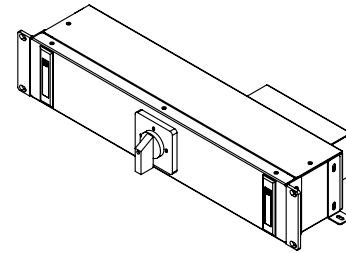
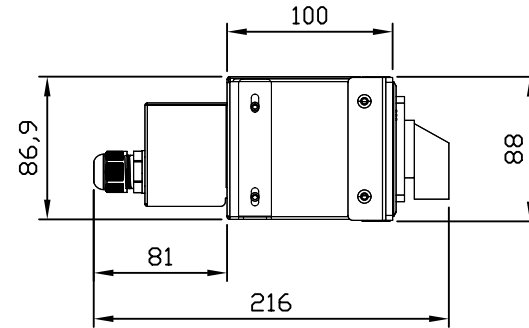
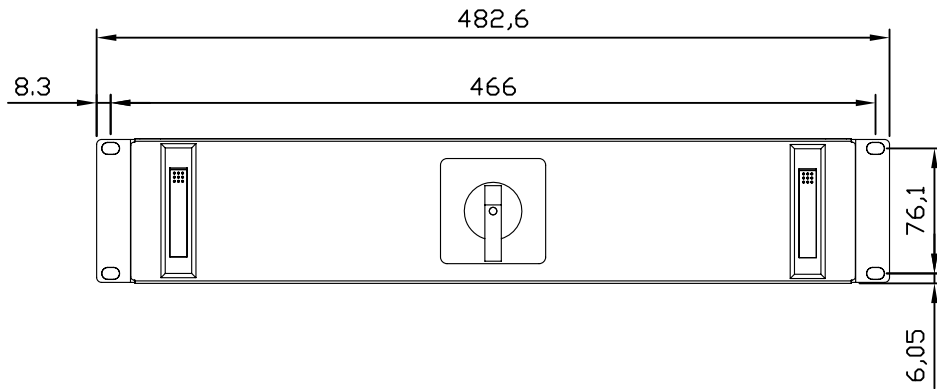
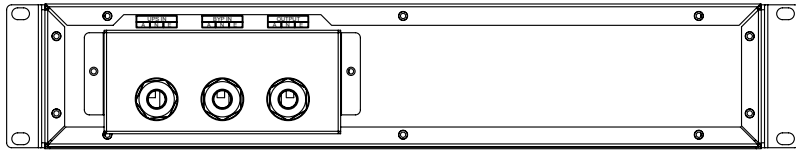
4ms Maintenance Bypass Switch
 16A, Rack Mount
 MBPSR-16



4ms Maintenance Bypass Switch
16A, Wall Mount
MBPSW-16



4ms Maintenance Bypass Switch
40A, Rack Mount, hard-wired
MBPSRH-40



Hole Size